

11 THINGS TO KNOW ABOUT MAXPRO[®] INTRUSION



SAVING YOU TIME & MONEY ON EVERY INSTALL

1> It's completely modular Reduction of SKUs with a modular approach



Controller



Cellular



Zone Expander



Relay Board



Door Control



Smart PSU

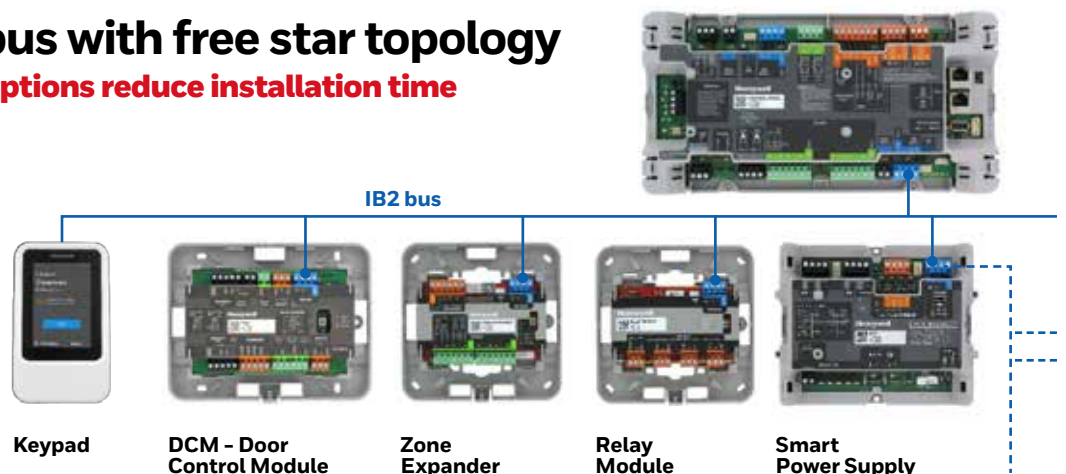


Peripheral Box

2> Get on IB2 bus with free star topology

Flexible cabling options reduce installation time and cables used

- 4 wires bus
- Free star, daisy chain, spur topology
- Up to 3.6 km distance
- Compatible with standard cables



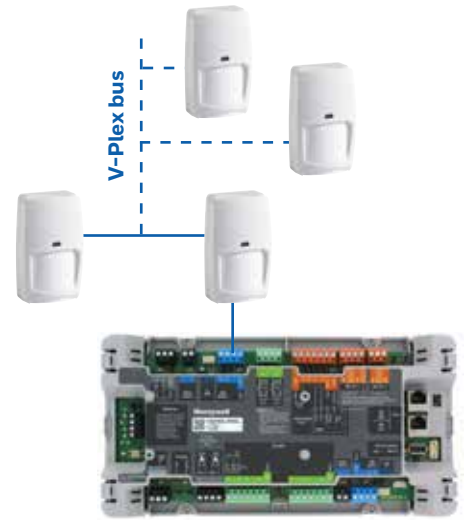
3> V-plex bus sensors integrated

Bus benefits extended to sensors

- 2 wires bus, very low energy consumption
- Free star, daisy chain, spur topology
- Up to 3.6 km distance
- Compatible with standard cables



V-Plex sensor



4> IP & cloud natively integrated, 4G, IPV6

Up-to- date communications, future proof

- 2IP or LTE (4G) connection (dual path)
- Guaranteed service availability 24/7
- Cybersecure

MAXPRO Cloud

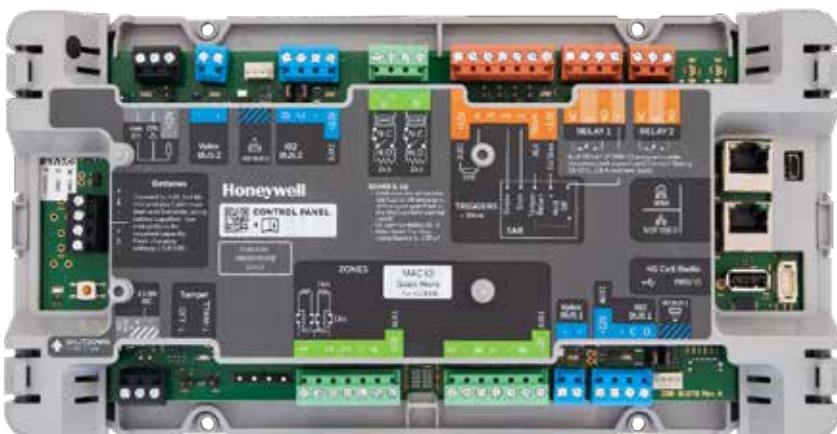
LTE (4G) connection
with MAXPRO Cloud as
primary or backup path



IP port connection with DHCP SSL PKI
full end to end secure connection with
IPv4 (IPv6 ready, coming soon)

5> New Look & feel, color codes & info cards

Simplified wiring, less mistakes, looks great



6> «plug&play» device approach

Connect and configure reduces install time (and minimises mistakes)

1) Connect to IP one-step with MAC address

2) Scan for devices

3) List of found devices by type enrolled with automatic unique serial number



7> Simple configuration and maintenance

Fast learning curve, reduces engineer's time and site, visits

The screenshot shows the 'Panel I/O' configuration page. It includes tabs for 'Zones', 'Outputs', and 'Diagnostics'. The 'Zones' tab is active, showing a table with one zone:

Zone No*	Zone Name*
1	Lab Corner DT

Other configuration options include Response Type (3 - Intruder), Bypassable (Yes), Zone Supervision Type (Triple Balanced), and EDL Resistor Values (1K).

CONTROLLER FIRMWARE VERSION

Current Version: | 3000EU.100.006.20
Last Updated: | 11/07/2019 02:47:49

[NEW FIRMWARE AVAILABLE](#)

Available Version: | 3000EU.100.006.72

8> Diagnostics built-in

Proactive maintenance, saving you truck rolls, time and money

The screenshot shows the 'Diagnostics' tab in the Panel I/O interface. It displays a table of zone resistance values:

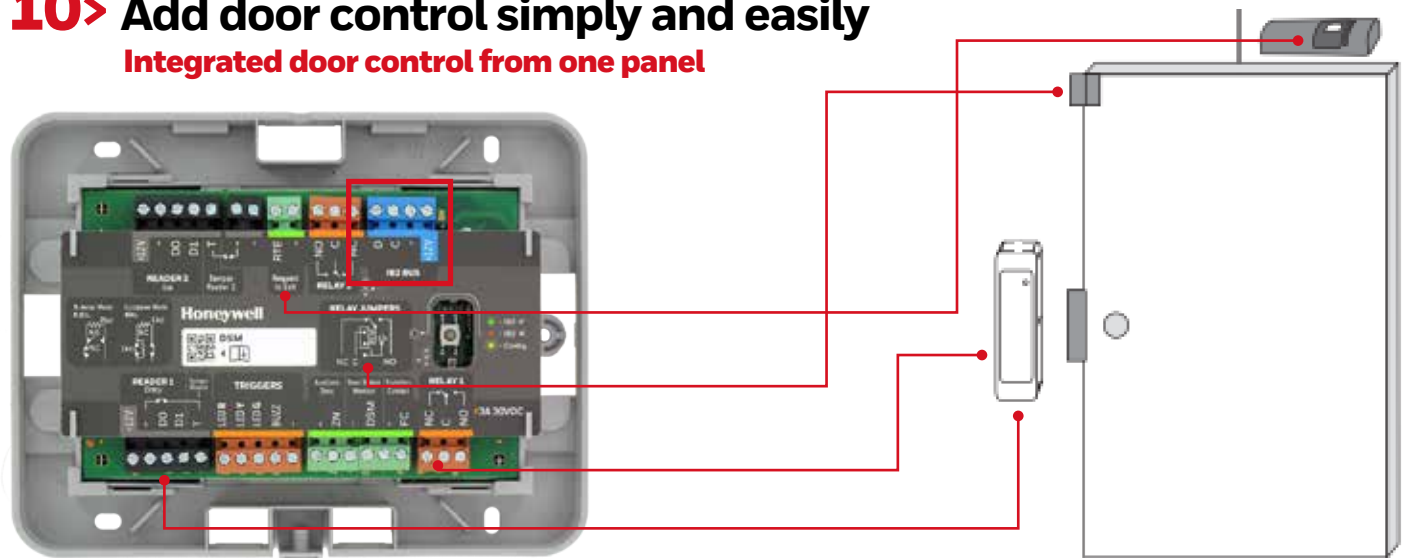
Zone No	Zone Name	Area	Resistance Value (Ω)
1	Zone 1	Area1-EAGLE-MPIP3000E_1	1100
2	Zone 2	Area1-EAGLE-MPIP3000E_1	11010
3	Zone 3	Area1-EAGLE-MPIP3000E_1	11014
4	Zone 4	Area1-EAGLE-MPIP3000E_1	11013
5	Zone 5	Area1-EAGLE-MPIP3000E_1	65535
6	Zone 6	Area1-EAGLE-MPIP3000E_1	11014
7	Zone 7	Numero del Area_2	11018
8	Zone 8	Numero del Area_2	11018
9	Zone 9	Area1-EAGLE-MPIP3000E_1	65535
10	Zone 10	Numero del Area_2	65535

On the left, a status bar for 'EAGLE-MPIP3000E_1' shows 'ONLINE' and 'ALARMS'.

9> Easy life with intuitive user interfaces
Make users lives easier, improves security and reduces mistakes



10> Add door control simply and easily
Integrated door control from one panel



11> Customise all you want with rules
Tailor security to specific customer's needs easily

